

SERVICE BULLETIN



M-1098

April 28, 2000

XL GEARCASE GASKETS

General

Late production 1999 Sportster and Buell engines use the model year 2000 gearcase cover and gasket. If the cover is removed and re-installed, care must be taken to install the correct gasket, or oil starvation can occur. The 2000 gasket (25263-90C) **MUST** be used with the 2000 style gearcase cover.

NOTE:

The 2000 gasket (25263-90C) can retrofit cam covers to 1991.

CAUTION

If a 25263-90B gasket is installed on a 2000 style gearcase cover, oil starvation can occur to the top end. Oil starvation can result in engine damage.

V.I.N. Range

Model Year 1999 XL Motorcycles with engine numbers XX99-158-XXX to XX99-176-XXX have the 2000 cam cover and must use 25263-90C.

NOTE:

The XL engine gasket kit 17026-91B has superseded to 17026-91C. The 17026-91C gasket kit contains the 25263-90C cam cover gasket.

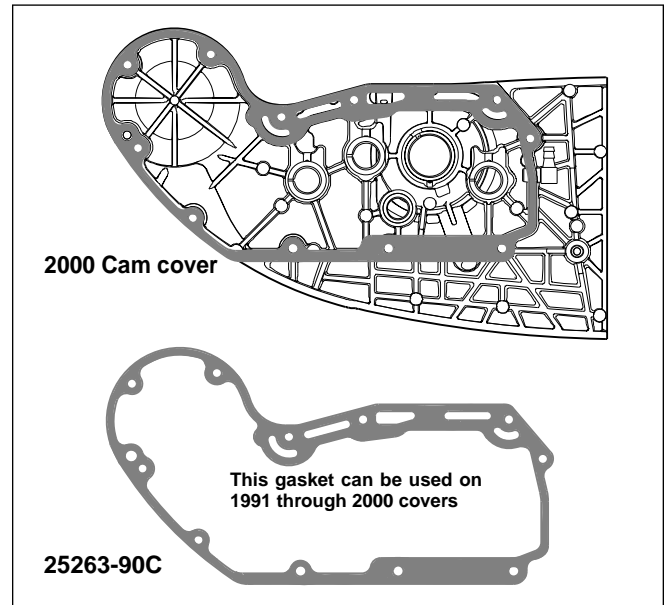


Figure 1. 2000 Cam cover and gasket

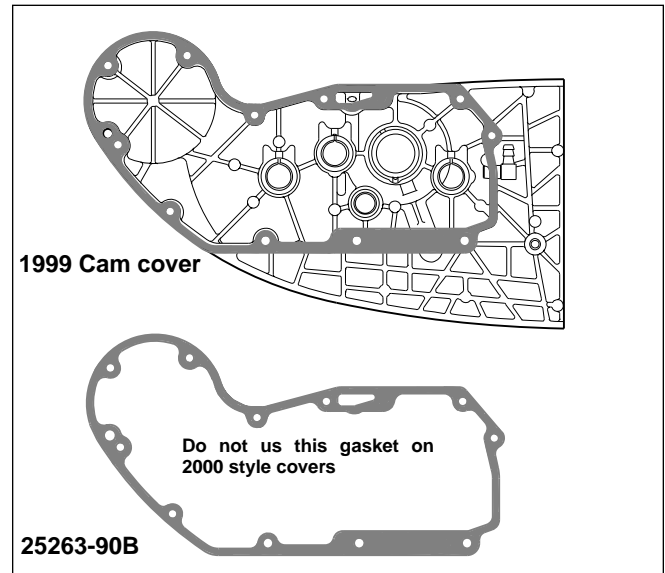


Figure 2. 1999 Cam cover and gasket

Table 1.2000 Harley-Davidson® Inc.

ROUTING	SERVICE MANAGER	SALES MANAGER	PARTS MANAGER	LEAD TECHNICIAN	TECHNICIAN NO. 1	TECHNICIAN NO. 2	TECHNICIAN NO. 3	TECHNICIAN NO. 4	RETURN THIS TO:
INITIAL HERE									